

PULSAFEEDER®

2400T Series Metering Pumps / Grease Trap Dispensers are capable to dispensing low volumes of chemicals, detergents, liquid enzymes, fragrances and bio-chemicals. They are programmable for use in difficult drain/grease cleaning situations.

The 2400T-DC is battery powered for added safety and convenience. The pump is designed for extended battery life and runs on easy-to-install, economical D-size batteries, (Batteries not included), with a visual, low battery indicator built in. 2400T and 2400T Plus gearmotors are also available for 240V 60Hz operation.

The pump case on the 2400T and 2400T Plus is molded of a rugged chemical resistant ABS, while the 2400T-DC is enclosed inside this case. An available option for the 2400T Plus is a lockable latch cover. Mounting pads and a built-in wall mounting bracket allow choice of flat surface or wall mounted installation.

The 2400T features a 24-hour day timer which provides 96 settings in 15 minute increments. The 2400T Plus and 2400T-DC feature a quartz driven time switch with large LCD display showing time, day, switching programs, and program status with a manual override provided. Timer has 8 on/off settings per day, available for daily or weekly programming and can be programmed down to one-minute increments. A lithium battery provides minimum 5-year backup.

Optional tubing materials are available for special chemical applications and higher outputs.

Features

- Engineered to dispense low volumes of chemical.
- Programmable
- Prime push button for quick start-up.
- Clear polycarbonate, acid-resistant head.

Controls



- On/Off Switch
- 2400T- 24 hour mechanical timer
- 2400T PLUS & DC- 7 day, 8 event programmable timer



Operating Benefits

- Quick-release twist off head.
- Self-lubricating chemical resistant roller assembly.
- Durable, long-lasting tubing with no tube adjustment.
- Impedance protected gearmotor is safe, quiet and dependable.
- Metal gearing parts are heat treated and output shaft supported by heavy duty bearings.



Aftermarket

- KOPkits
- Gauges
- Dampeners
- Pressure Relief Valves
- Tanks
- Pre-Engineered Systems
- Process Controllers (MicroVision)



Contact factory for applicable agency approvals.

MEC-O-MATIC 2400T Series Peristaltic Metering Pumps

MEC-O-MATIC 2400T Series

Specifications and Model Selection

MODEL		2400T	2400T DC	2400T Plus
Timer		Mechanical	Programmable Microprocessor	Programmable Microprocessor
Nominal Feed Rate	24 hrs.	2.5 gal	NA	2.5 gal
	1 hr.	13.2 oz	NA	13.2 oz
	15 min.	3.3 z	NA	3.3 oz
	1 min.	N/A	3.0 oz	.22 oz
Pressure (max.)	PSIG	25		
	BAR	1.72		
Head	Tubing	.125" I.D. x .38" O.D.	.25" I.D. x .44" O.D.	.125" I.D. x .31" O.D.
Connections	Tubing	.17" I.D. x .25" O.D.		

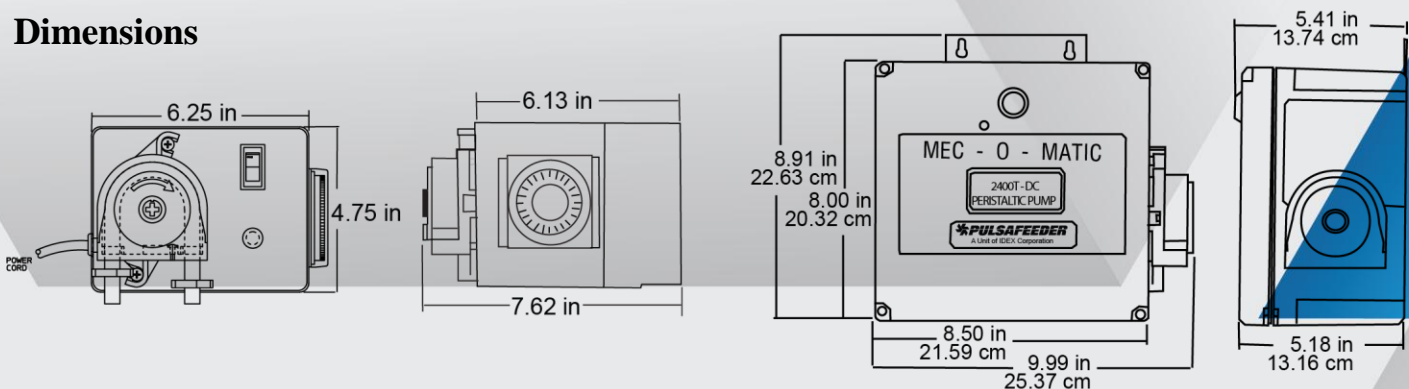
Engineering Data

Pump Head Materials:	Chemical Resistant Resin
Pump Head Tubing: 2400T & 2400T Plus	Viton Silicone Norprene
2400T-DC	Norprene
Injection Fitting (standard w/check vlv):	PVC
Strainer:	FPP
Tubing:	PE
Pump Housing:	Chemical Resistant Resin
Important: Material Code - PVC=Polyvinyl Chloride, PE=Polyethylene.	
Power Input:	
2400T & 2400T Plus	115 V 60 HZ
2400T-DC	12 V DC
Max Ambient Temperature:	104°F (40°C)
Shipping Weight:	
2400T & 2400T Plus	7 lbs
2400T-DC	7.5 lbs

Typical Installation



Dimensions



27101 Airport Road
Punta Gorda, FL 33982
Phone: ++1(941) 575-3800
Fax: ++1(941) 575-4085

www.pulsatron.com



An ISO 9001 Certified Company

MOM005 B15

